

Split core current transformer

1. Descriptions

Products:	Split core current transformer
Type :	CT-SP-100A-5A
Carried standard:	GB1208-2006

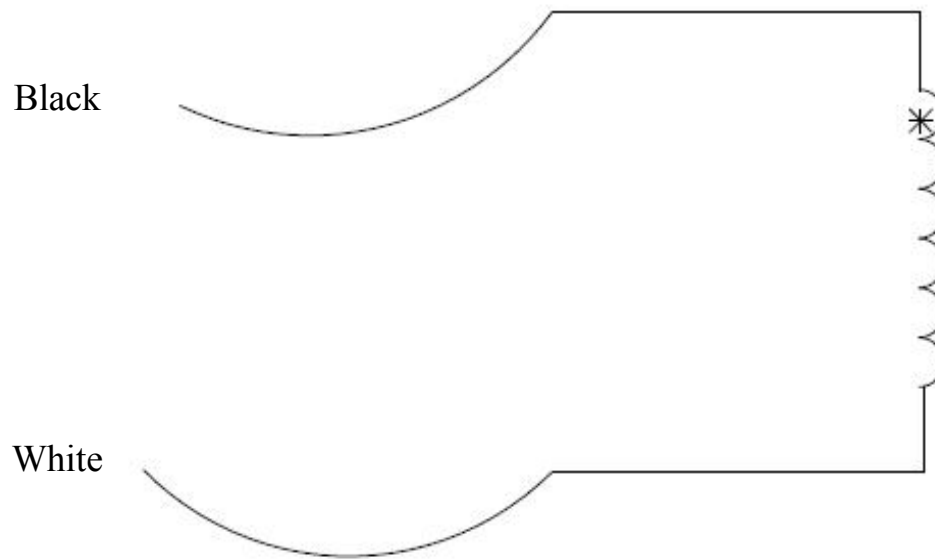
Split Core Current Transformer is designed to provide a low cost method to monitoring electrical current. A unique hinge and locking snap allows attachment without interrupting the current-carrying wire. High secondary turn will develop signals up to 10Vac across a burden resistor.



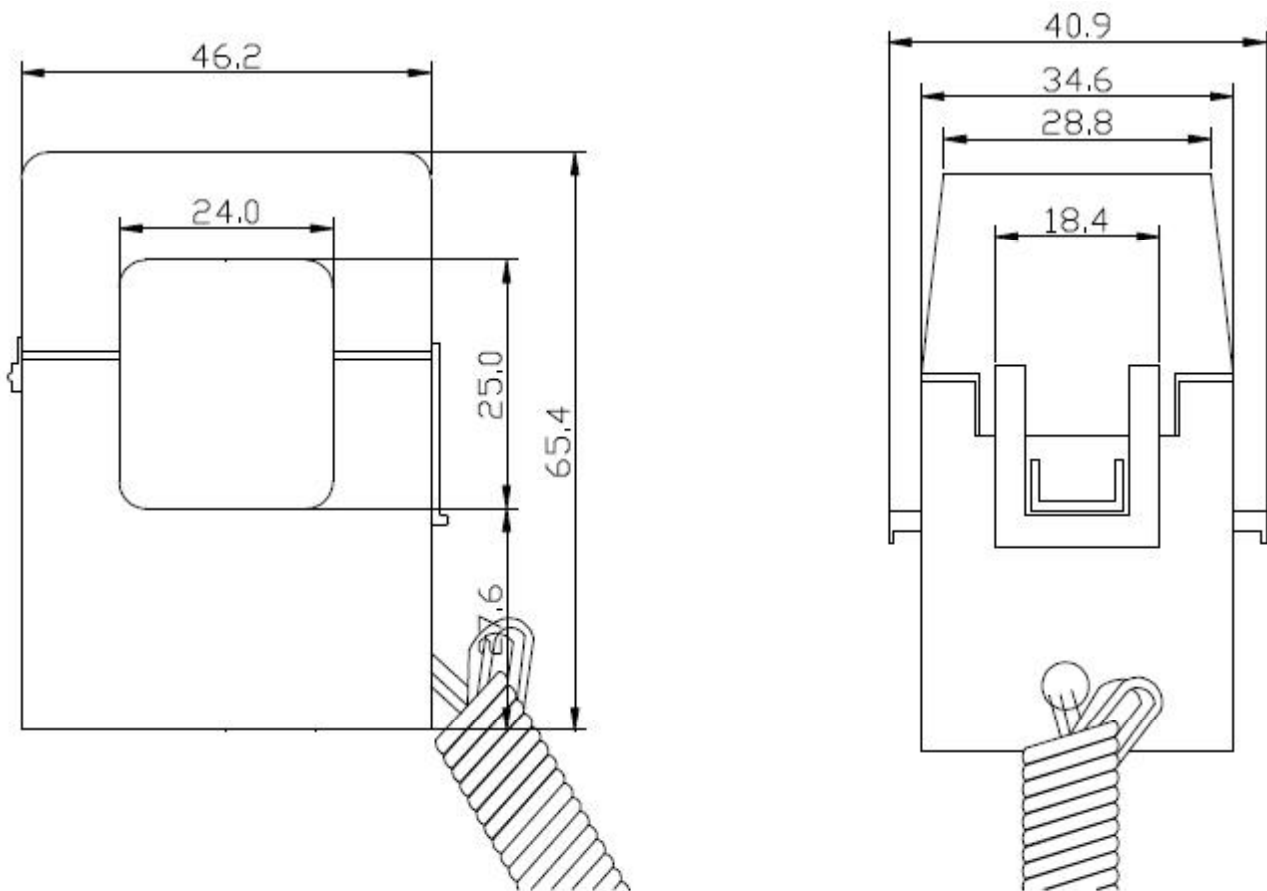
2. Specifications

Maximum continuous primary current:	100 A AC
Output:	1A or 5A at rated current
Accuracy:	1% 2VA
Insulation voltage:	600V AC
Maximum primary voltage:	5000V AC (insulated conductor)
Phase angle:	less than 2 degrees at 50% of rated current
Frequency range:	50 to 400Hz
Operating temperature:	-15 to 60c
Leads:	1.0m cable
Indoor or outdoor use, and outdoor type with rubber cover	
CE standard RoHS Directi e-compliant	
Output and leads can be customized	

3. Product Structure Drawing



4. Mechanical Dimensions (unit: mm)



Note: Wire lead length 150mm

5. Typical Product Parameter List

1). 5A Output

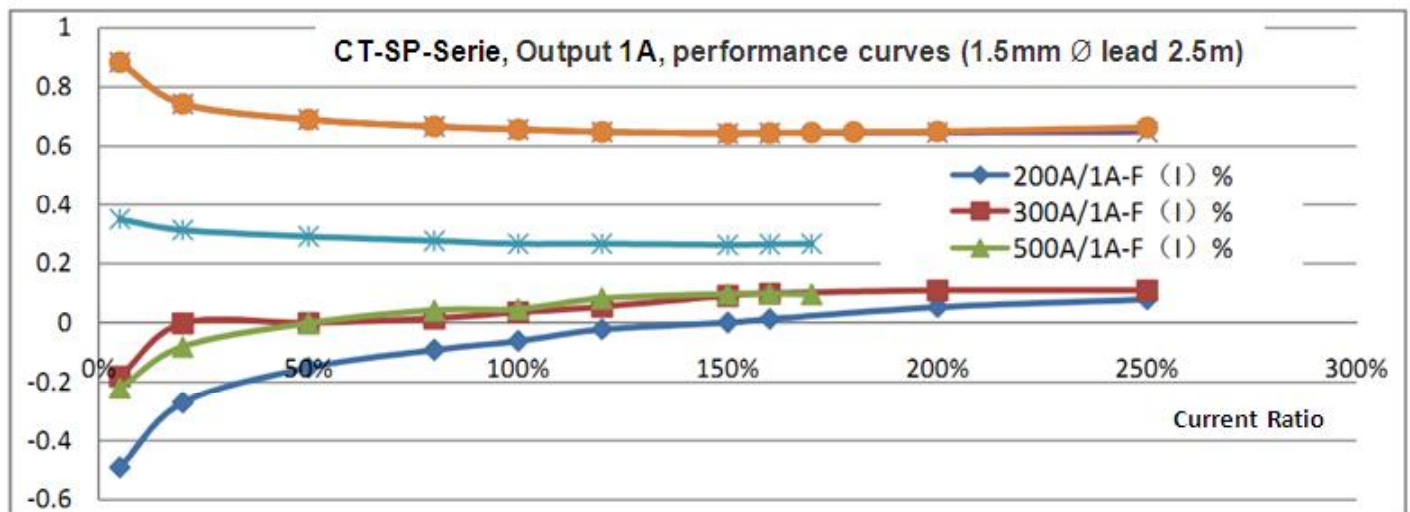
product standard	Input current (A)	Output current (A)	Overload current (A)	Wire size	Non linearity error (5% 120%)	
					F(I)%	$\delta(I)^\circ$
CT-SP-100A-5A	100	5	170	2.5 mm Ø / 1 m	$\leq 1\%$	$\leq 1^\circ$
CT-SP-250A-5A	250	5	420	2.5 mm Ø / 1 m	$\leq 0.5\%$	$\leq 0.7^\circ$
CT-SP-300A-5A	300	5	540	2.5 mm Ø / 1 m	$\leq 0.5\%$	$\leq 0.2^\circ$
CT-SP-400A-5A	400	5	720	2.5 mm Ø / 1 m	$\leq 0.5\%$	$\leq 0.2^\circ$
CT-SP-600A-5A	600	5	960	2.5 mm Ø / 1 m	$\leq 0.5\%$	$\leq 0.1^\circ$

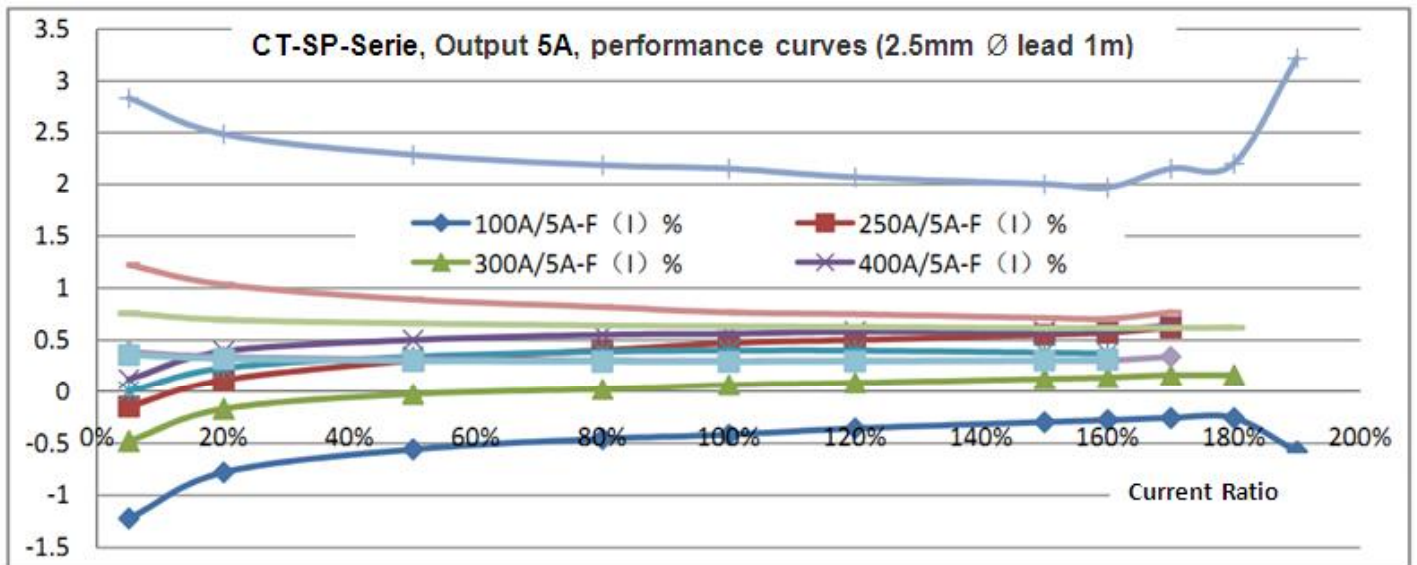
2). 1A Output

product standard	Input current (A)	Output current (A)	Overload current (A)	Wire size	Non linearity error (5% 120%)	
					F(I)%	$\delta(I)^\circ$
CT-SP-200A-1A	200	1	600	1.5 mm Ø / 2.5m	$\leq 0.5\%$	$\leq 0.3^\circ$
CT-SP-300A-1A	300	1	700	1.5 mm Ø / 2.5m	$\leq 0.5\%$	$\leq 0.2^\circ$
CT-SP-500A-1A	500	1	800	1.5 mm Ø / 2.5m	$\leq 0.5\%$	$\leq 0.1^\circ$

6. Typical Performance Curves

Split core current transformer





7. Materials List

No.	Materials	Specifications
1	Silicone steel core	T24
2	Nylon Housing	SCT0024-01B
3	Skeleton	T24
4	Enameled wire	Φ0.85
5	Black wire lead	1.5 m ²
6	Red wire lead	

8. Label

CT-SP-100A-5A

9. Test Report

1). Performance Test

a Test condition

input 100A, output 5A, ratio error 0.5 class

No.	Input	20%	50%	100%	120%	Instrument
1	Phase error(minute)	443	421	487	515	
2	Ratio error (%)	-0.96	0.001	0.13	0.001	
	Phase error(minute)	300	200	265	280	
3	Ratio error (%)	-0.98	-0.25	-0.11	-0.28	
	Phase error(minute)	287	259	283	294	

Test result: Qualified

2). Hi-pot test

Test Index	Instrument
Wire-housing: 2000V/0.5mA/3S	YD2665 hi-pot tester

Test Results: Qualified