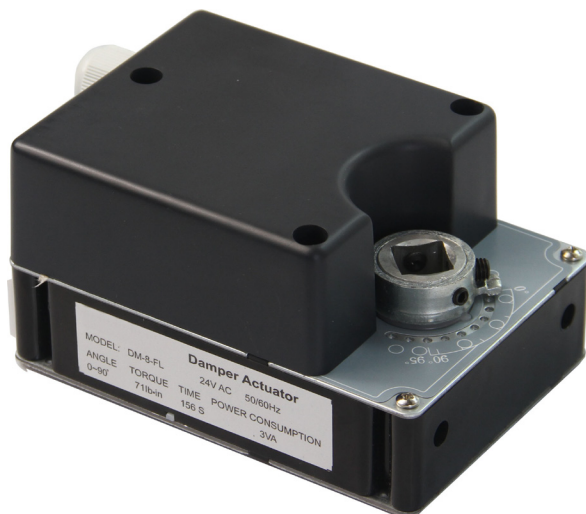


Description

The Actuator is intended for On/Off and floating point controls in HVAC systems. It can easily mount on an 1/2" round or square shaft with solid screw sets. On/off type damper actuator uses bi-directional magnetic clutch synchronous motor. It has overload protection function, and does not need limitator switch. The actuator will stop automatically, because the motor is clutched when it is operating to the end.

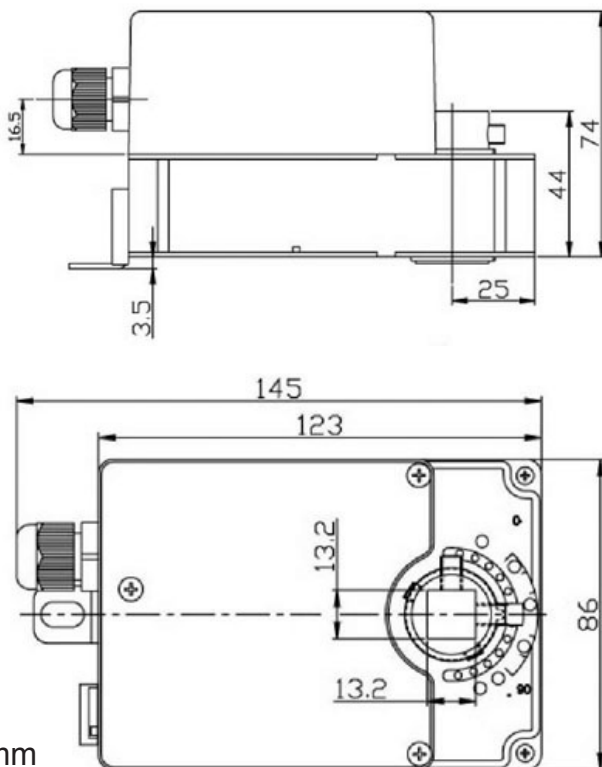
Highlights:

- Simple Direct Mounting
- Stall-Proof Synchronous AC Motor
- Adjustable Angle of Rotation with Mech. Stops
- Consistent running time
- Visual Position Indicator
- Optional overtime protection for longer motor life.



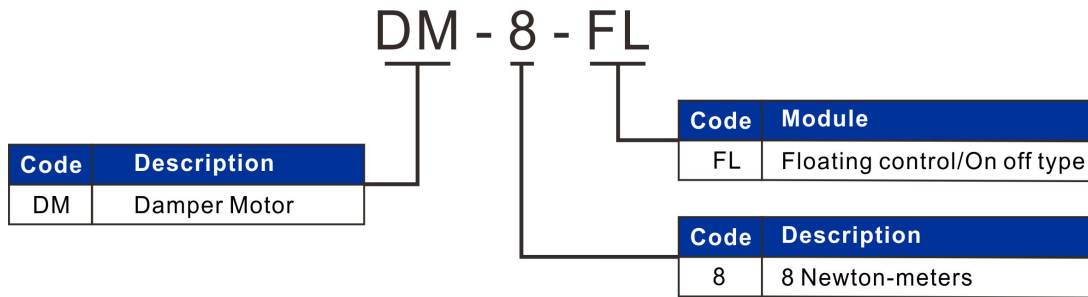
Specification

Supply	24Vac ±20%, 50-60Hz
Power consumption	2.5W
Recommended Wire Sizing	3V
Control	ON-OFF/ Floating point
Angle	90° < Mechanical limitation ≤ 95°
Torque	8Nm
Operating time (50Hz, 90°)	156s
Manual Override	external lever
Temperature: Ambient	-30 ° C to +50° C
Storage	-40° C to +80° C
Humidity	5 to 95% RH
Position indication	mechanical
Useful life	>60000 cycles

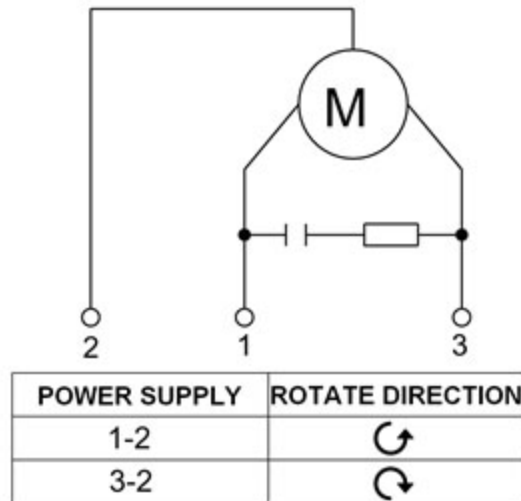


Unit: mm

Part Number Scheme



Wiring Diagram



Mounting Installation

1 - Make sure Damper blade is at its fully closed position.

2 - From the bottom view, with the manual override lever pushed to the right. Rotate actuator angle close to zero, depending on damper seal design.

3 - With Actuator angle set at almost zero, slide in actuator over shaft.

4 - Install bottom screw and tighten hex solid set screws

Note:

- The actuator should be mounted in a non corrosive area or sealed against unwanted agents.

