

T3-Nano Programmable Modbus Bacnet IP RS485 Router

Description

T3-nano controller is a multi-user controller and a low-cost high performance programmable controller. It can stand DDC panel alone or in a multiple network system with full communication capabilities. The multiple communication ports allow the controller to operate on a network or host sub networks and to communicate with local and remote operators simultaneously. Setup and programming are done on a PC not necessary to connect to live hardware as it is the case with many systems. When the program is ready for on-site testing, connect it to a live panel and download the T3000 software. Programming can be done remotely over the network and modem connections as well. The network system is very flexible and economical for the installation.



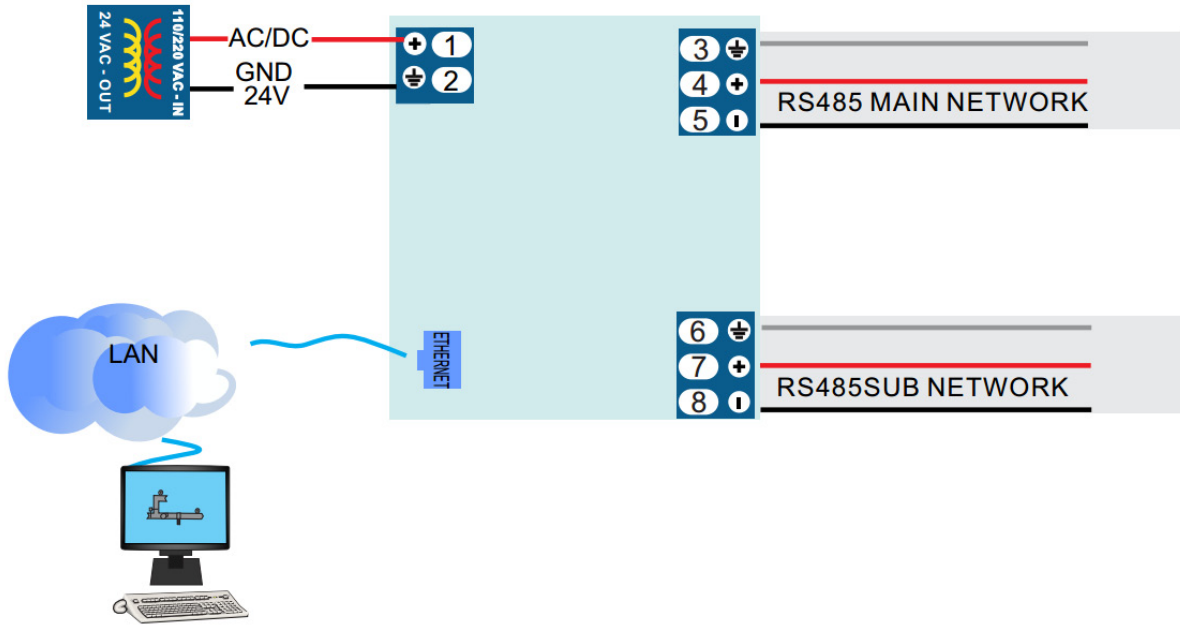
Highlights

- Sturdy construction, consistently gets good comments from our clients.
- UL listed ABS enclosure with rubberized texture creates a high end feel
- Connect over Ethernet or RS485
- Supports Modbus and Bacnet protocols simultaneously.
- Starter space source code is available
- T3000 front end is free and open source: <http://tinyurl.com/n7kkqp6>
- Compiled version of the front end is here: <https://tinyurl.com/y7uyu9n3>

Specifications

Interactive dynamic color graphics
Industry standard Bacnet & Modbus protocols
User programming, built in networking features
16 Control Basic programs
8 Weekly routines, 4 annual routines
128 User variables
16 PID controllers
8 passwords or users
Power Supply Voltage: 24V AC/DC
Maximum Power Consumption: 6W
RS485 sub baudrates: 9600, 19200
RS485 main baudrates: 1200~921600

Wiring Diagram



Dimension

