

Transducer

Descriptions

Duct temperature and humidity sensor / transmitter is applicable to all kinds of building automation, environment monitoring, HVAC systems. Product appearance is simple, direct connection terminals, convenient installation. Products use high performance embedded microprocessor, and high-precision sensors to meet all kinds of high precision, high stability of the temperature and humidity measurement requirements, and variety needs of different environments. Duct temperature sensor / transmitter has current, voltage, 485 output signal to select, using 485 serial port output and Modbus communication protocol. It is commonly used in HVAC, electrical plant, environment monitoring, dynamic environment monitoring, agricultural environmental monitoring, meteorological environmental monitoring, environmental monitoring of biological pharmacy, airport, subway stations, hotel, museum, stadium, etc.



Highlights:

- High precision temperature and humidity sensor
- Applicable to all types of air environmental monitoring
- HVAC systems
- Advanced circuit design, high accuracy, stable performance
- Appearance is concise, easy to install, cost-effective

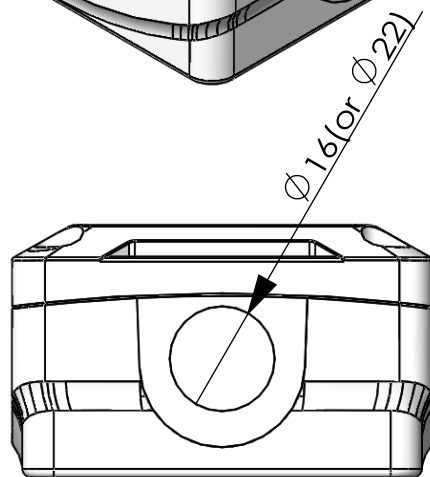
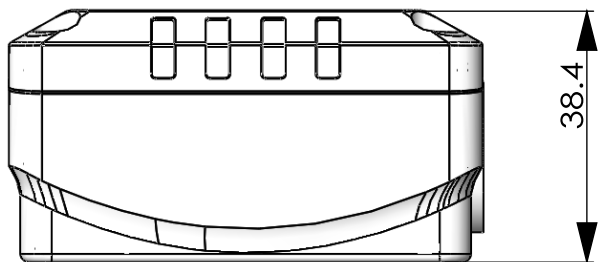
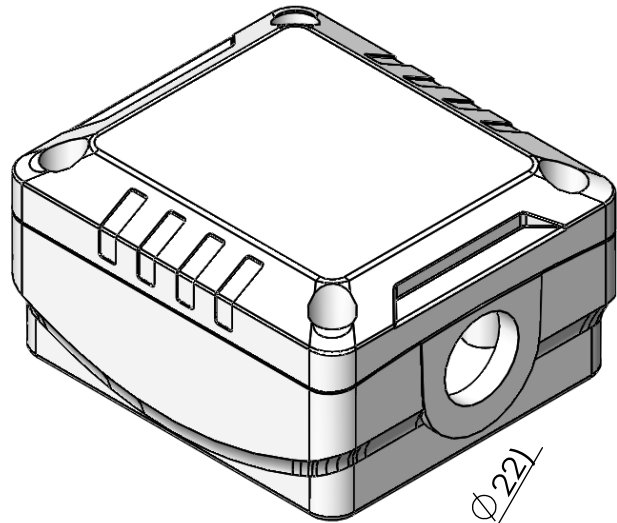
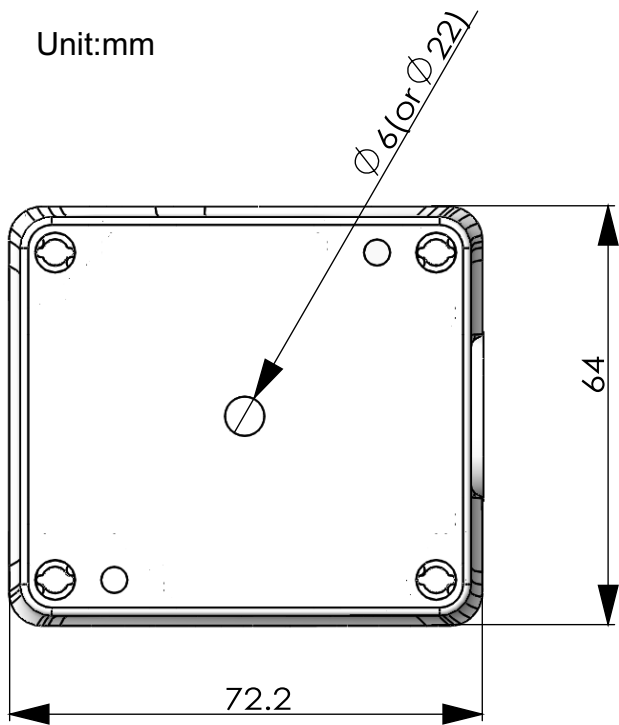
Specifications

Typical Application	Wall mount indoors	
Output Signal Type	Jumperselect:4-20mA,0-10V	
Output Signal Drive	>500ΩformA mode,75mA max output drive for voltagemode	
Power	15-24V+/-10%, AC or DC, 1watt typical	
Operating Temp	-30~+60°C,0-95%noncondensing	
Plastic Housing	Flammability rating UL94V0 file E194560	
Control Features	N/A	
HUM	Sensor Type	Capacitive
	Range	0-100%Non-Condensing
	Accuracy	5%@25°C,20~80%
	Drift	<0.5%RH/year
TEMP	Sensor Type	10K thermistor
	Range	-40~150°C(-60~340°F)
	Accuracy	<±0.5°C@25°C
Size	72.2mmX64mmX38.4mm	

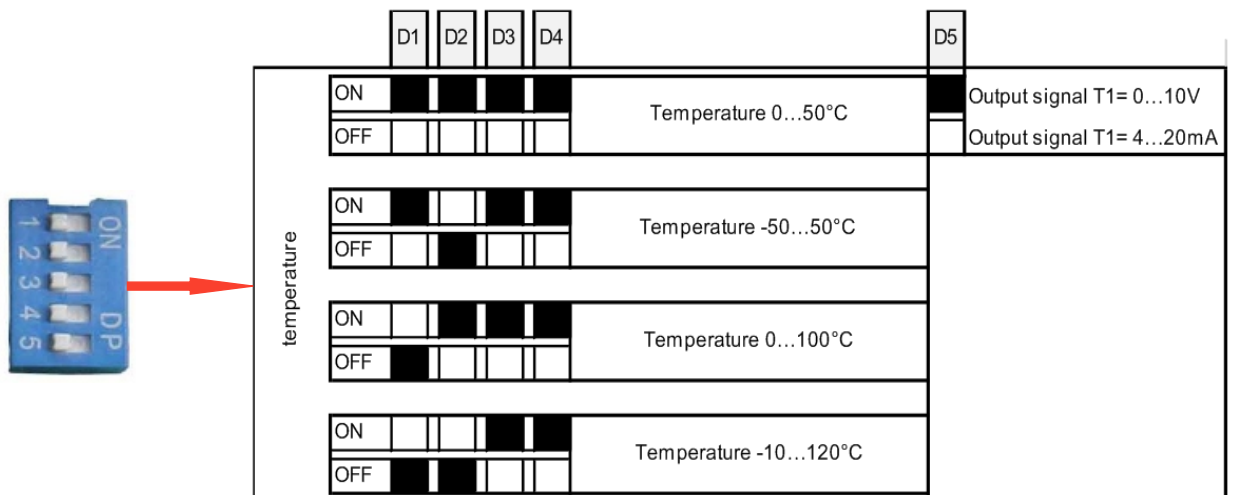
Transducer

Dimension

Unit:mm

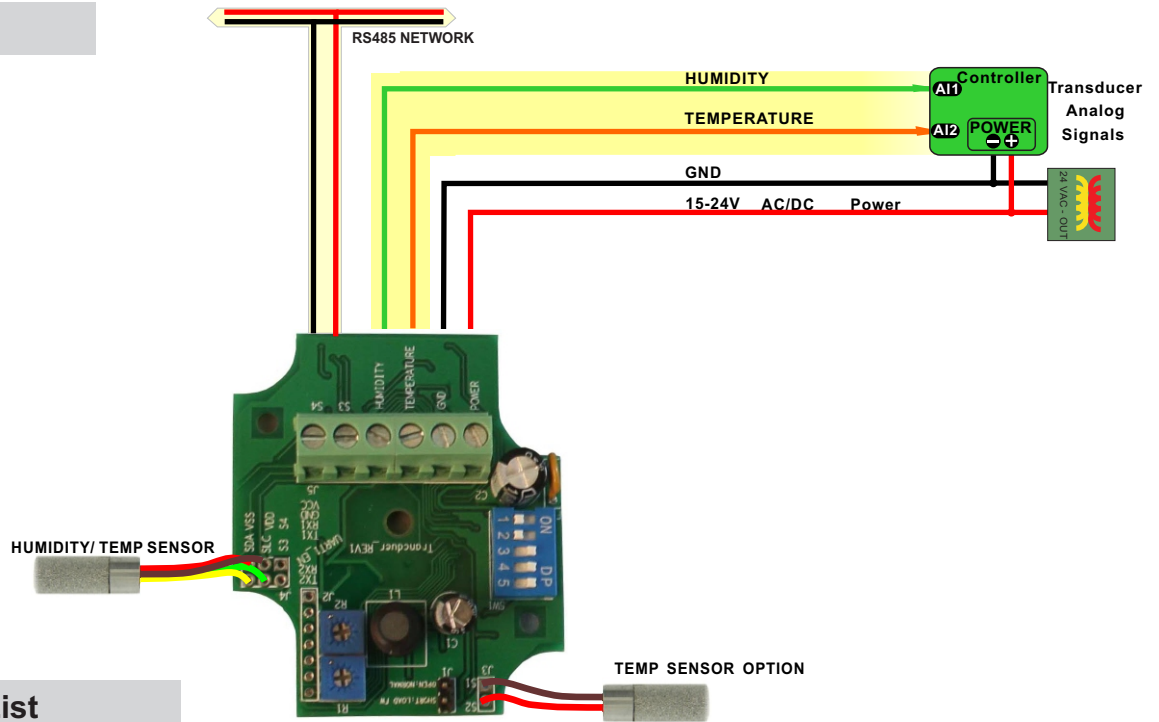


Jumper Settings



Transducer

Wiring Diagram



Modbus Register List

ADDRESS	Register Description
0-3	Serial number
4	Software version
6	Modbus Address
8	Hardware version
17	Switch 5, 1=0...10V, 0=4...20mA
18	Switch 1-2, 0=0-100,1=-20...80,2=0...50,3=-50...50
19	Switch 3-4, 0=dewPoint, 1=enthalpy, 2=absolute humidity,3=real humidity
25	potentiometer R1 AD value
27	potentiometer R2 AD value
34	SHT 35 Temperature
35	SHT 35 Humidity
45	NTC temperature
36	potentiometer R1 offset value
37	potentiometer R2 offset value
38	Temperature with offset
39	Humidity with offset
41	Dew point value
42	Enthalpy value
44	Absolute humidity
51	Test switch, if on, input voltage to register 52,53
52	Input voltage for Temperature output, 500 mean 5.00 v
53	input voltage for humidity output, 500 mean 5.00 v
54	input current for temperature output, 4 mean 4mA
55	input current for humidity output, 4 mean 4mA
60-76	NTC sensor 17 calibration points
80	NTC sensor's AD value