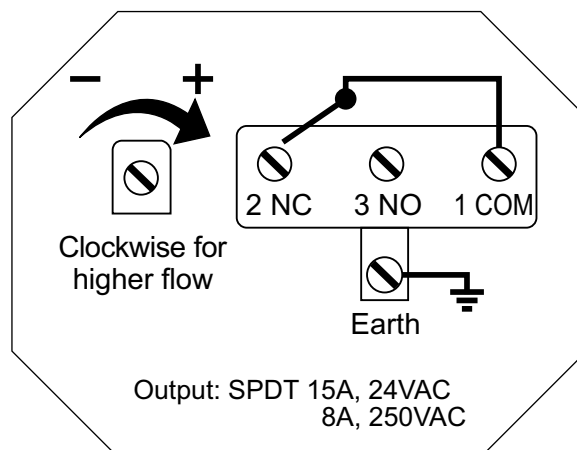


 Matte Finish,White

 Color:blue,pantone286C

Scale: 1:1

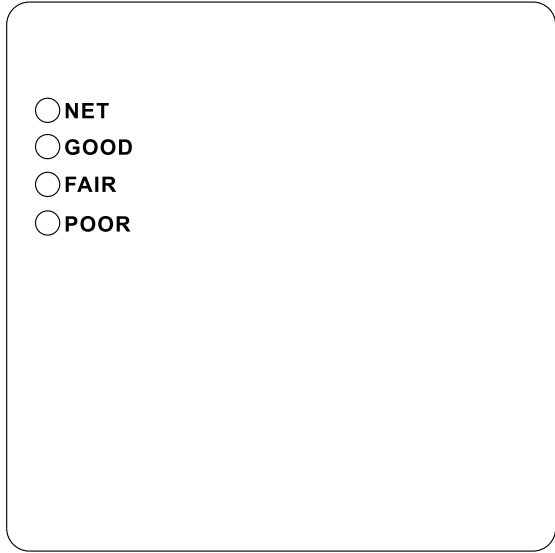
Material:PC 0.25mm



Background:White

 Black

Partnum:AFS

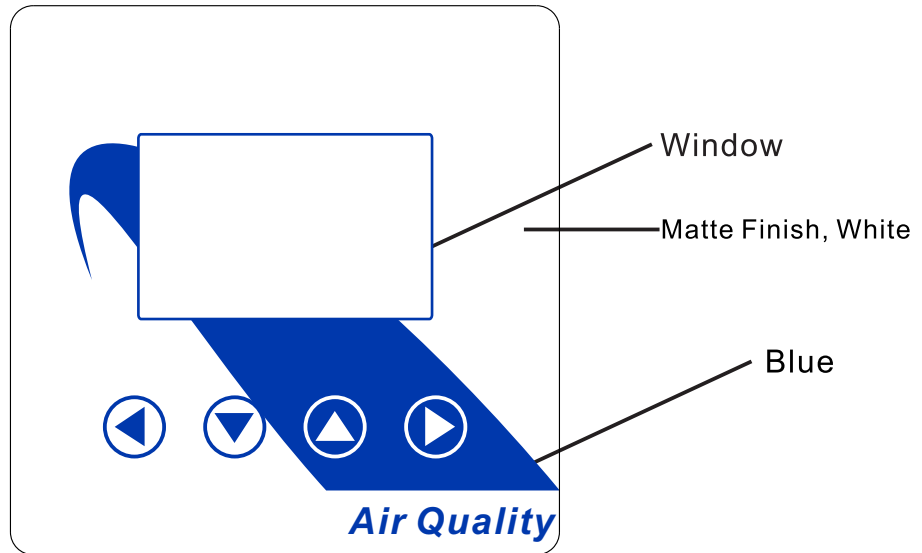


Matte Finish,White

Scale: 1:1

Material:PC 0.25mm

Part num:AQ-N



Matte Finish,White



Color:blue,pantone286C



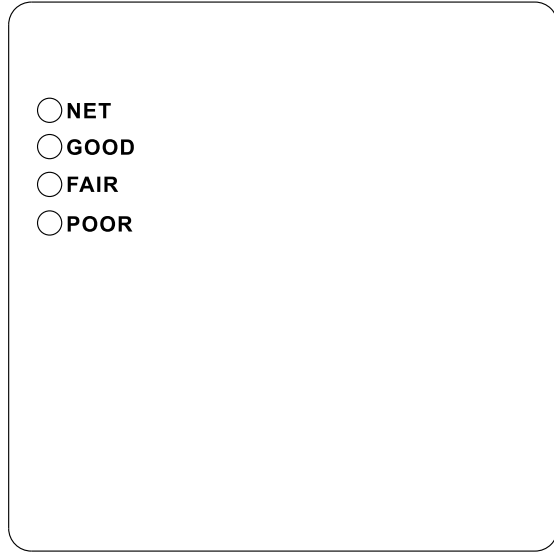
4 Embossed Button:Gloss Finish

4个按键凸印, 上光油

Scale:1:1

Material:PC 0.25mm

Part num:AQ-N-LCD

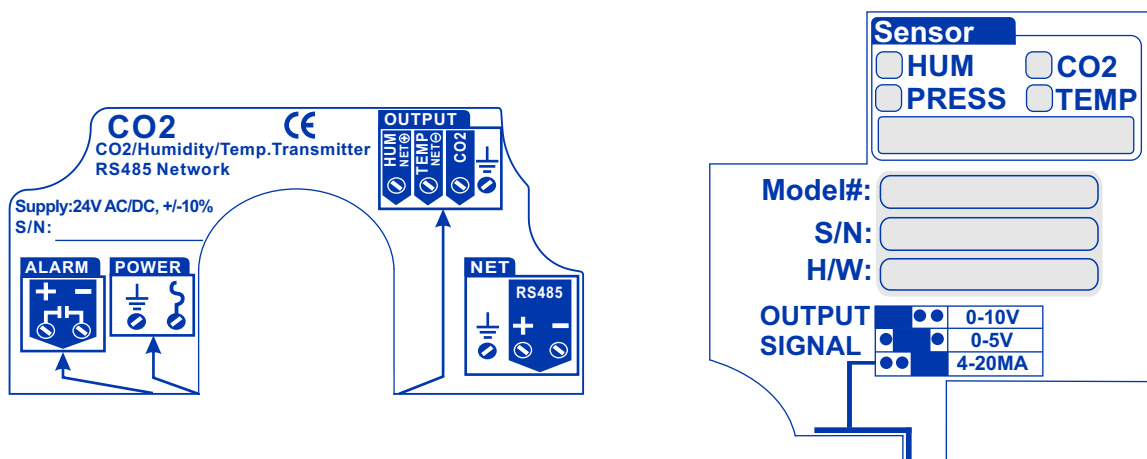
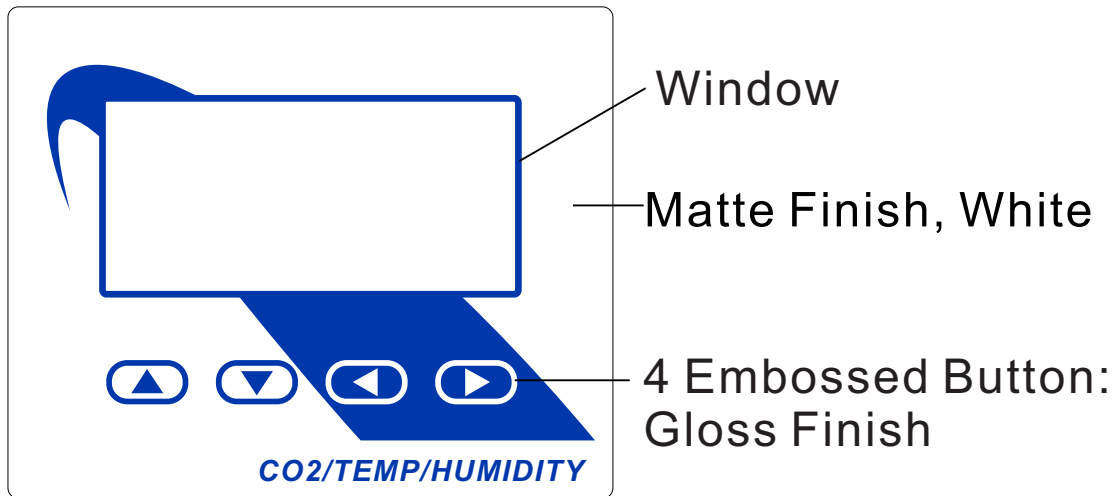


Matte Finish,White

Scale: 1:1

Material:PC 0.25mm

Part num:CO2-N



■ Blue, pantone286C

Background:white

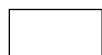
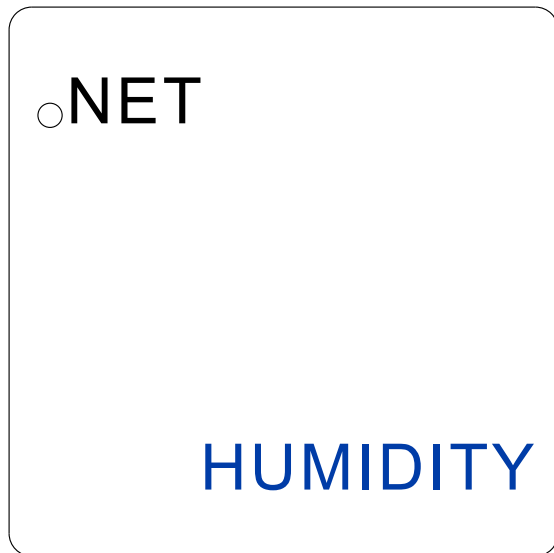
— Writable area

■ Writable area

Scale: 1:1

Material: PVC 121-196,0.25mm

Part num:CO2-N-LCD

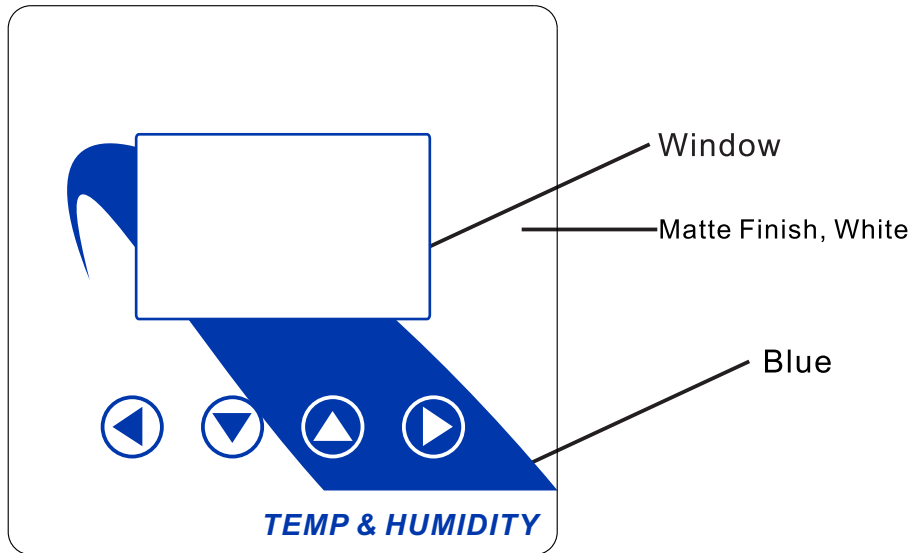


Matte Finish,White

Scale:1:1


Material:PC 0.25mm

Part num:HUM-N



 Matte Finish,White

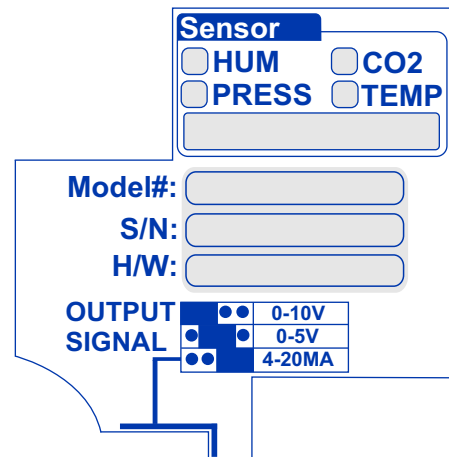
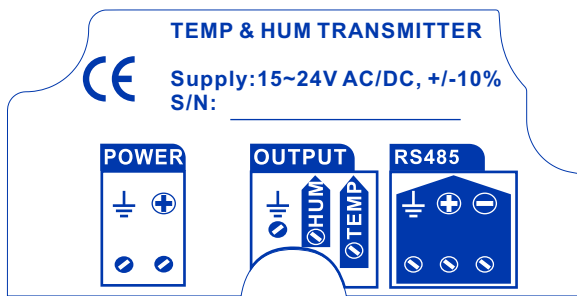
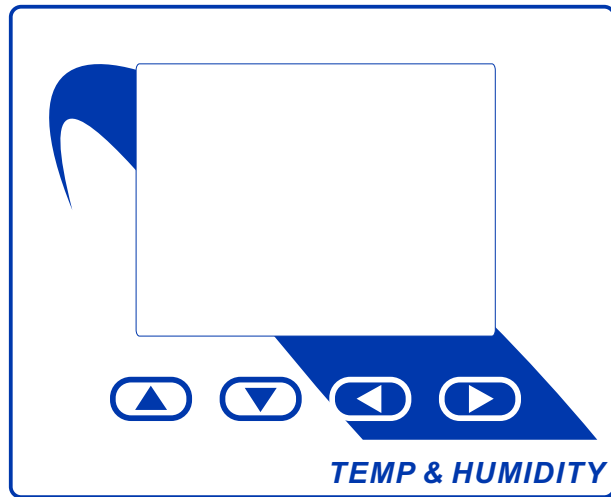
 Color:blue,pantone286C

 4 Embossed Button:Gloss Finish
4个按键凸印, 上光油

Scale:1:1

Material:PC 0.25mm

Part num:HUM-N-LCD



■ Blue, pantone286C

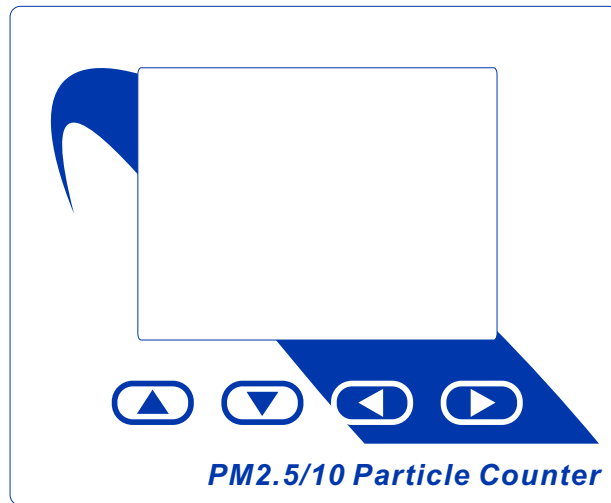
□ White

■ Writable area

Material: PVC121-196 , thin 0.25mm


Scale: 1:1


Part num:HumSensor



 Window

 Matte Finish,White

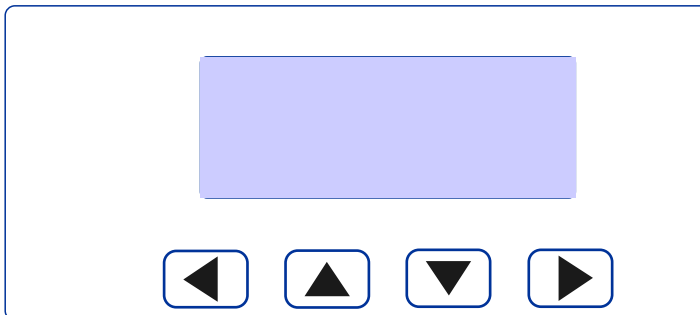
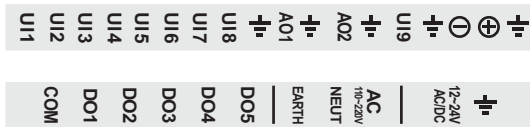
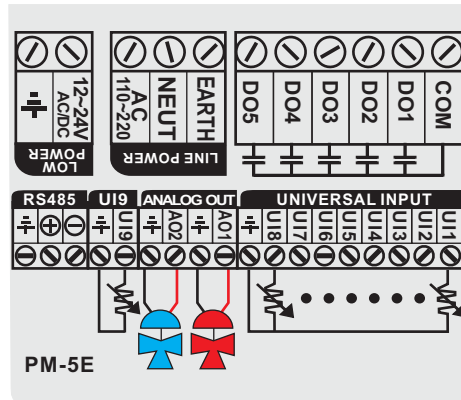
 Blue,pantone286C

 4 Embossed Button:Gloss Finish
4个按键凸印, 上光油

Scale:1:1

Material:PVC0.25mm

Part num:PM2.5



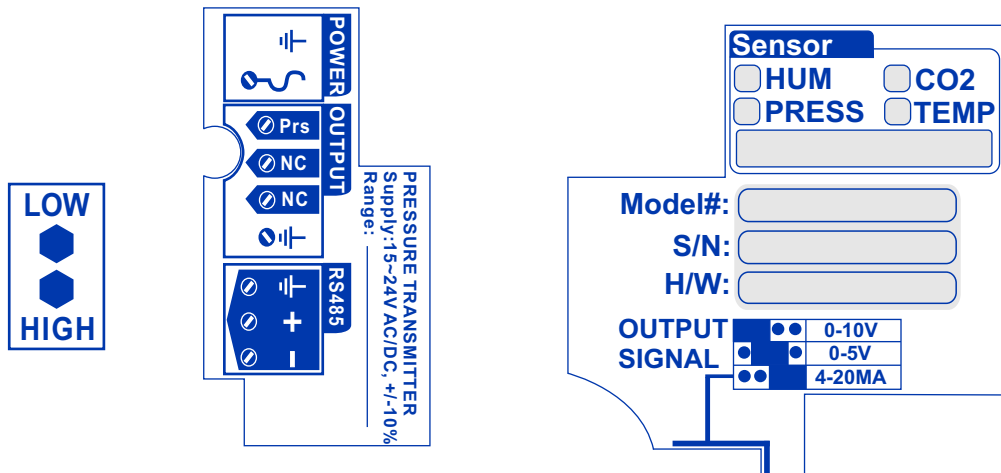
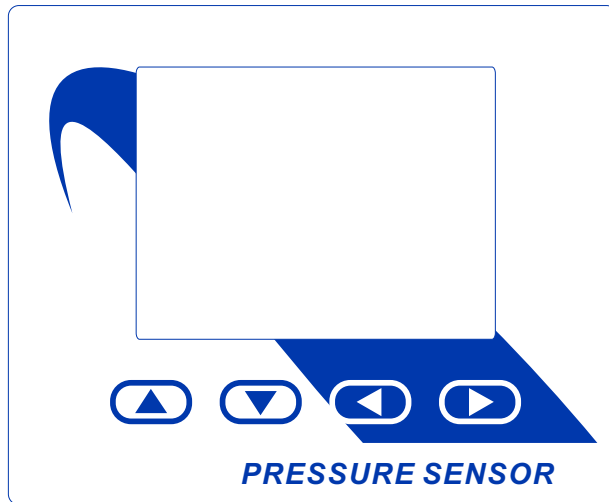
LCD Window, clear and 透窗, 防刮材料。



Buttons: 100% black, embossed



50% BLACK



■ Blue, pantone286C

□ White

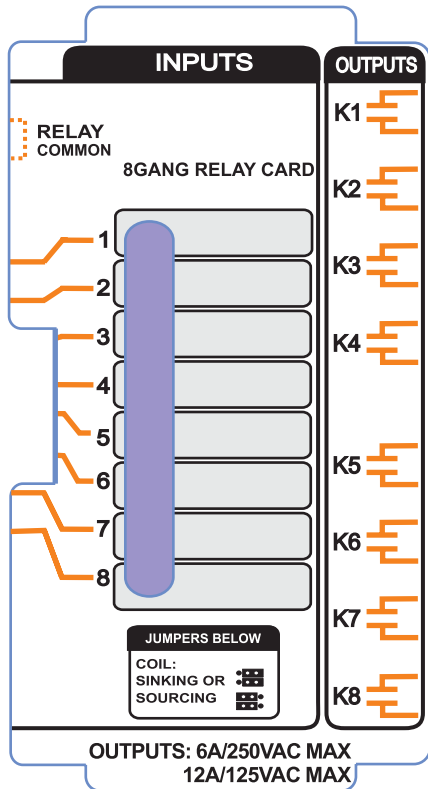
■ Writeable area

Material: PVC121-196 , thin 0.25mm

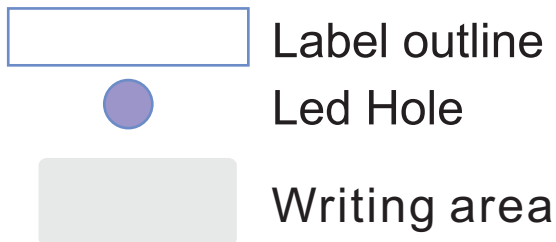
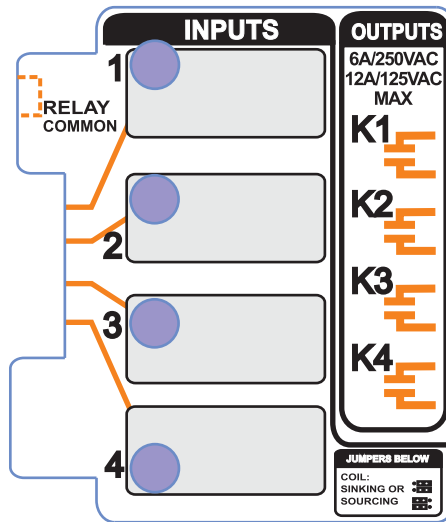
Scale: 1:1

Part num:PS_3

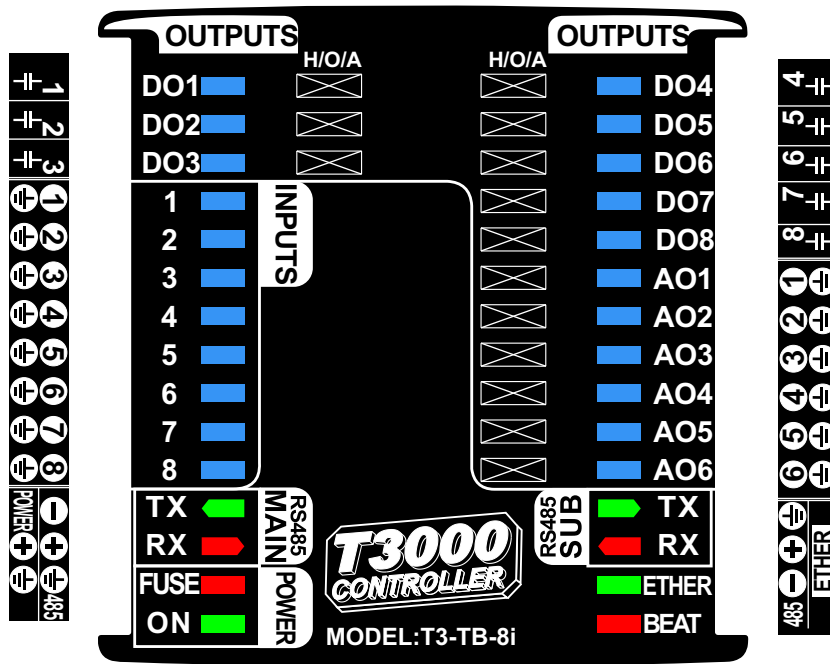
MRB-8



MRB-4

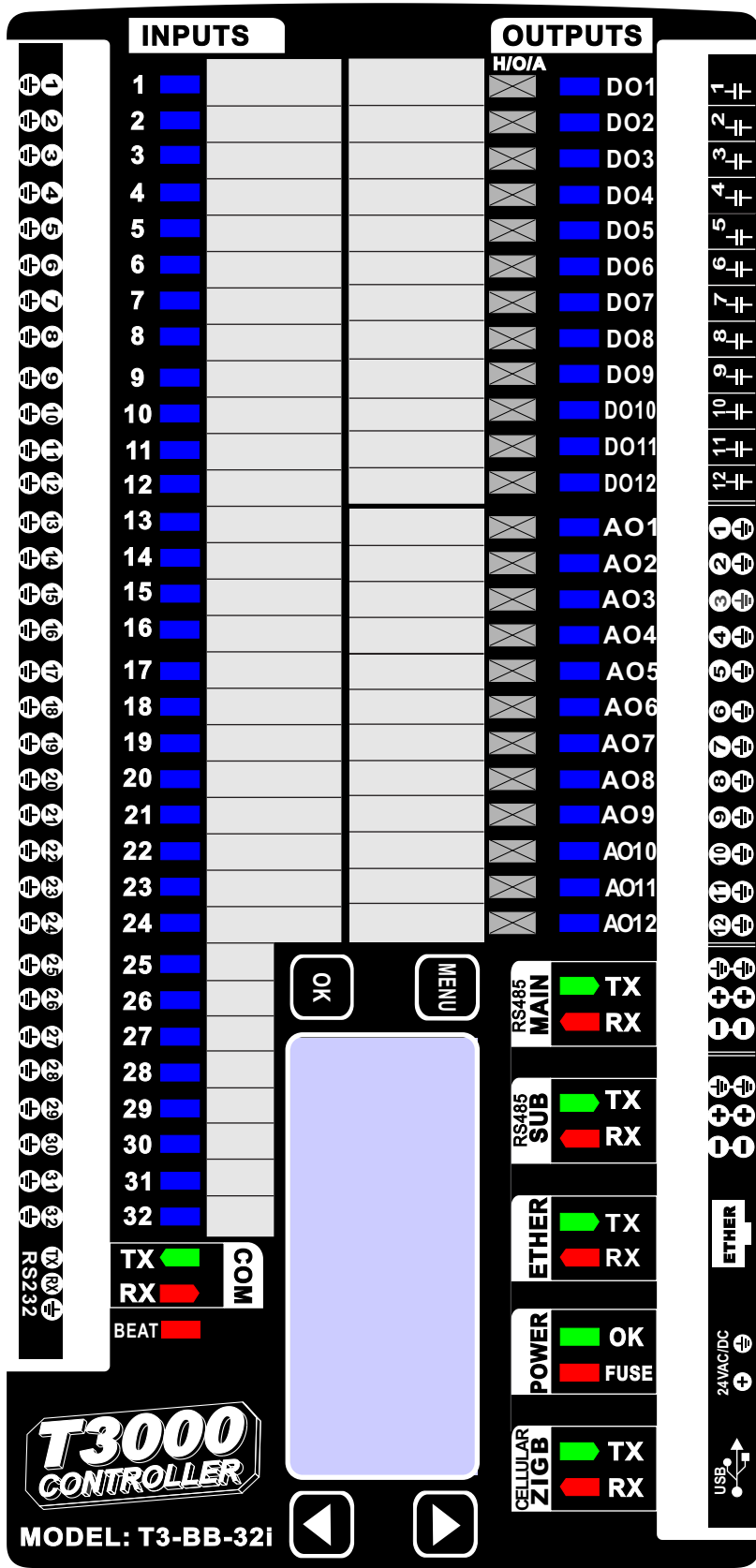


T3-TB



XX	Background: black or close to sample White text, arial font
<div style="display: flex; justify-content: space-between;"> <div> ■ Pantone 2727U ▶ Pantone 802U ▶ Pantone Orange 021U </div> <div>LED windows Translucent, frosted</div> </div>	
⊠	Hole for switch
□	Writeable Area

Scale: 1:1
 Material: PC, 0.175mm, Matte
 Part num: T3-TB_LAB



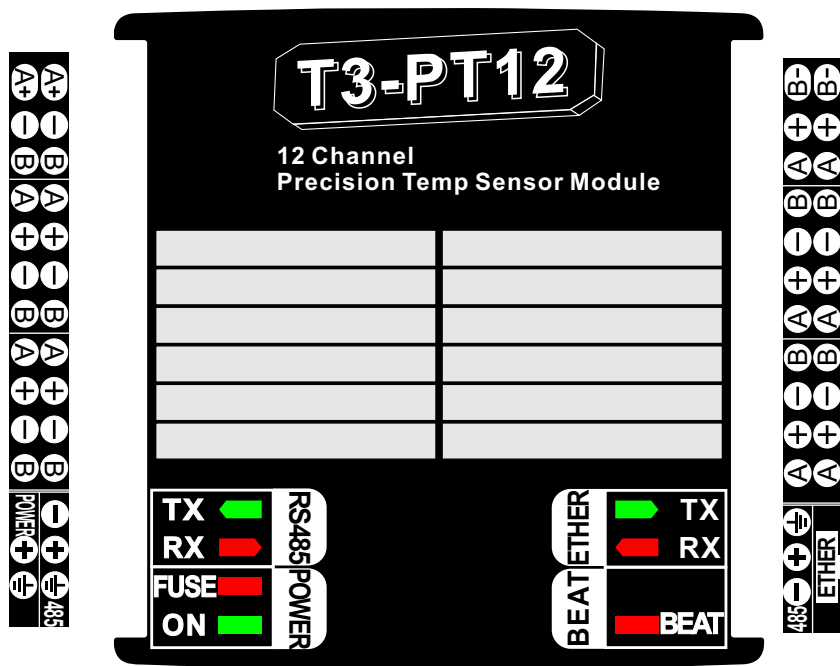
	Background: black or close to sample White text, arial font
	Pantone Blue 072U
	Pantone 802U
	Pantone Orange 021U
	Hole for switch
	Writeable Area
	Transparent

LED windows Translucent, frosted



Scale: 1:1

Material:PC,0.175mm,Smooth

Part num:T3-BB_LAB

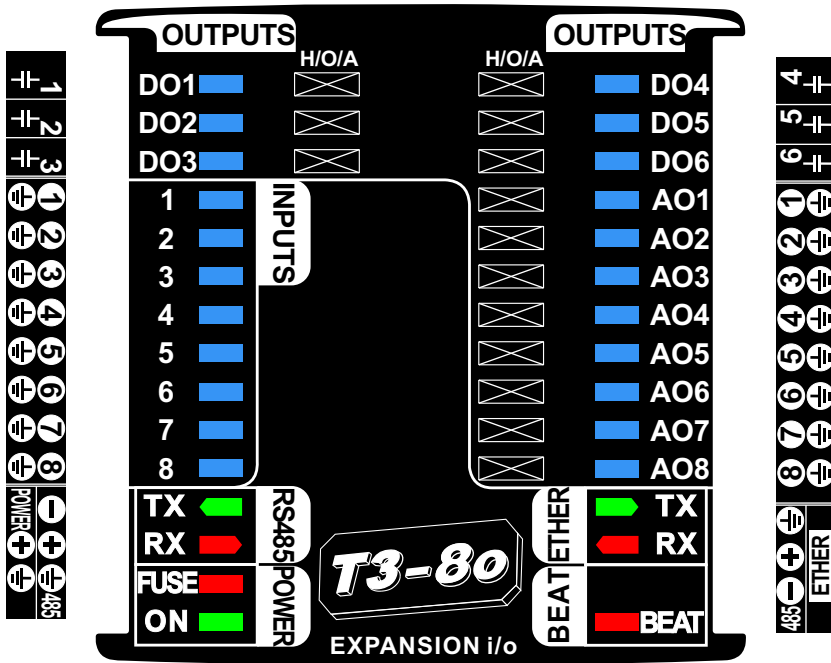


Color Chart

	White text
	Black
	Writeable Area

  green, red LED

Material:PC,0.175,Matte
Part num:T3-PT12_5_Rev1

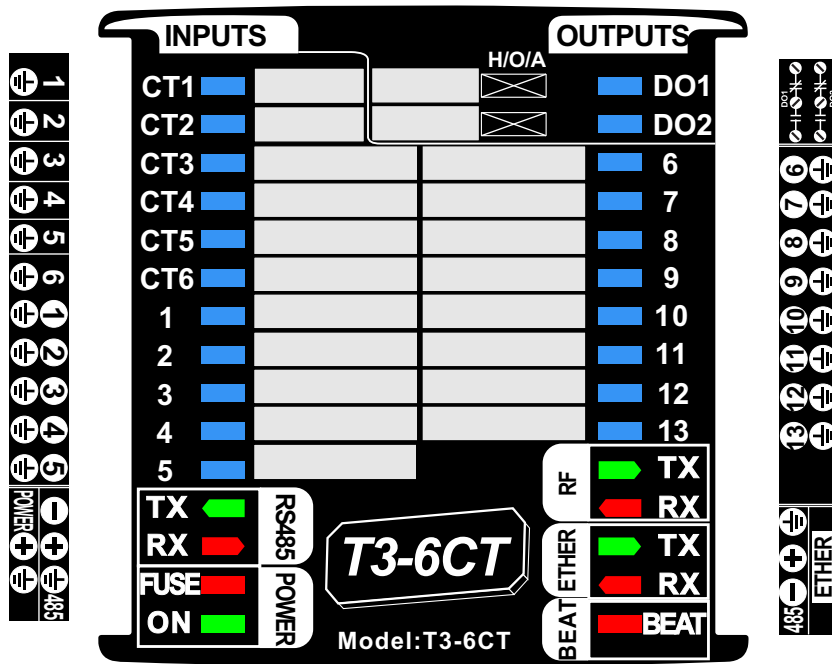


XX	Background: black or close to sample White text, arial font	
■	Pantone 2727U	LED windows Translucent, frosted
■	Pantone 802U	
■	Pantone Orange 021U	
⊠	Hole for switch	
□	Writeable Area	

Scale: 1:1

Material:PC,0.175mm,Matte

Part num:T3-8o

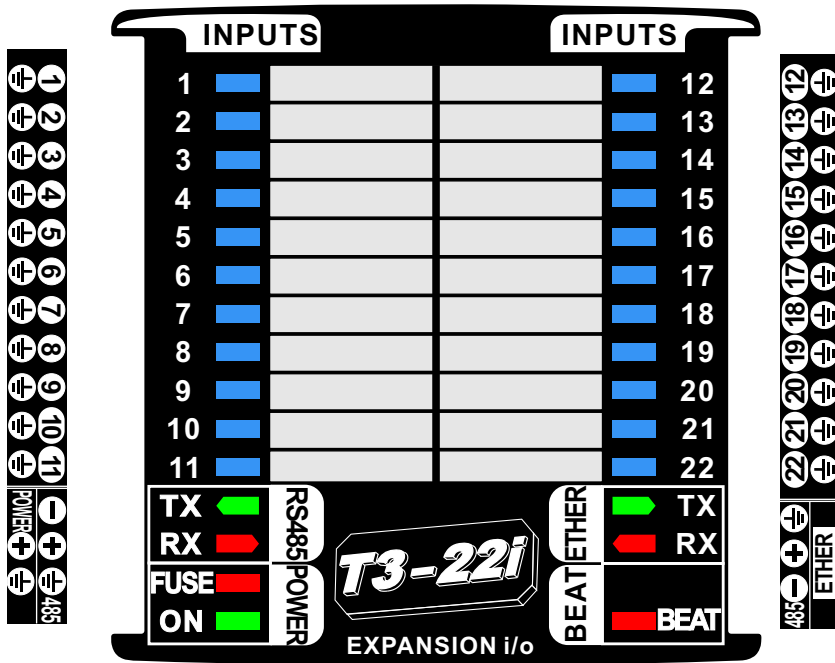







XX	Background: black or close to sample White text, arial font	
■	Pantone 2727U	LED windows Translucent, frosted
■	Pantone 802U	
■	Pantone Orange 021U	
⊠	Hole for switch	
□	Writeable Area	

Scale: 1:1

Material: PC, 0.175mm, Matte

Part num: T3-6CT

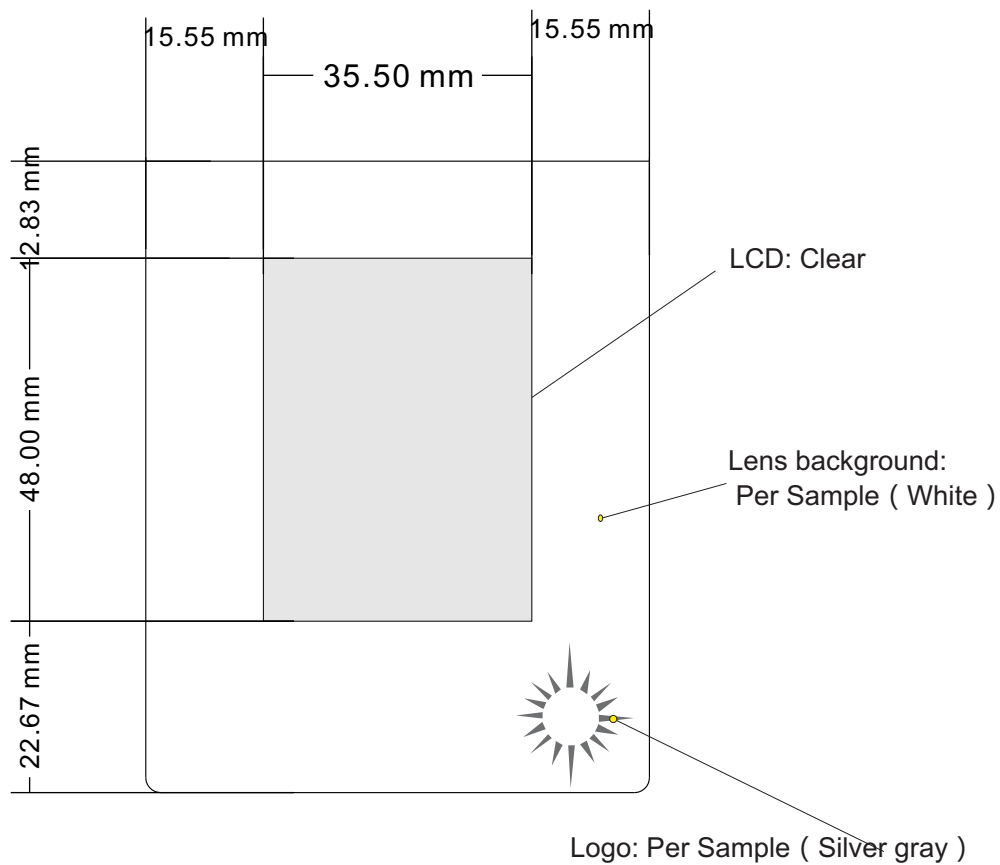


XX	Background: black or close to sample White text, arial font	
	Pantone 2727U	LED windows Translucent, frosted
	Pantone 802U	
	Pantone Orange 021U	
	Hole for switch	
	Writeable Area	

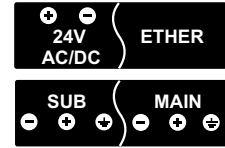
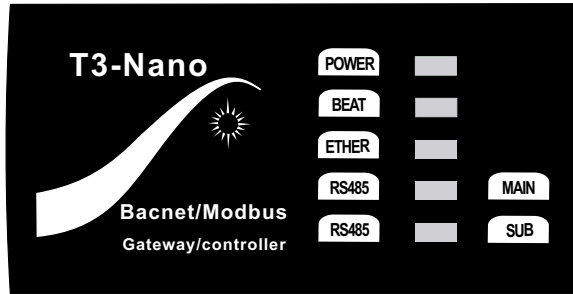
Scale: 1:1

Material: PC, 0.175mm, Matte

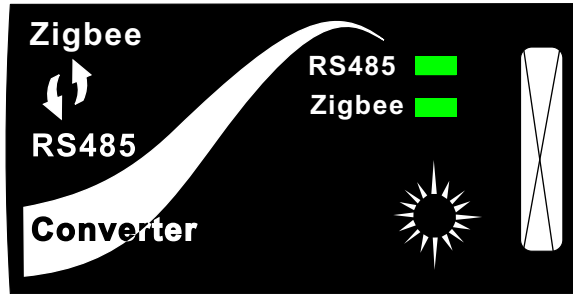
Part num: T3-22i



Tstat 8 pad printing




- xx** Black background, white text
- no tint, frosted



 Hole

xx Black background, white text

 Translucent, no tint, frosted