

TC30T

Descriptions

This latching, HID lighting control relay is equipped with permanent magnetic latching technology. It is rated for a 25A circuit at 300 and 480 VAC and has an estimated mechanical life of up to 1,000,000 uses. This unit provides outstanding quality lighting relays at a price that fits any budget.

Highlights:

- Permanent Magnetic-Latching Technology
- Extended-Life Contact Design
- Threaded Contact for Easy Wiring
- 18 - 30V AC/DC Operating Voltage
- SCCR rating of 14,000A



# Lighting Control Relay

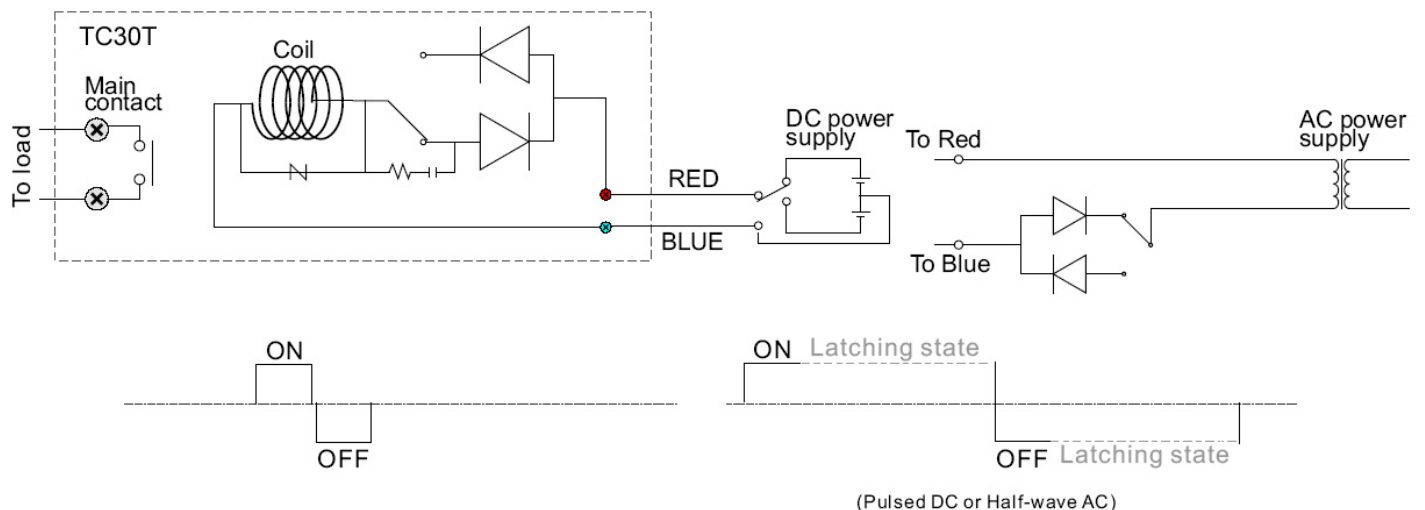
## Technical Data

<b>Contact</b>		<b>Auxiliary Contact</b>	
<b>Arrangement</b>	SPST, Latching	<b>Arrangement</b>	SPST, Latching
<b>Contact</b>	6mm dia.silver alloy * 4	<b>Contact Material</b>	Silver Alloy
<b>Rating</b>	General Use: 25A @ 300VAC; 25A @ 347VAC 25A @ 480VAC; 25A @ 347VAC  Tungsten: 3,000W @ 120VAC 3,000W @ 220VAC  Electric Discharge Lamp: 25A @ 300VAC; 25A @ 347VAC  Motor Load: 25A, cosØ =0.4, 110-277VAC	<b>Rating</b>	1A 125VAC
<b>Wiring Suggestions</b>			
<b>Main Contact Terminal</b>	12# - 14# AWG Copper Wire		
<b>Input Terminal</b>	16# - 20# AWG Copper Wire		
<b>Terminal Tightening Torque</b>	4.3 - 10.4 in/lbs (screw nut lock-clip)		
<b>Coil</b>			
<b>Operating Voltage</b>	18 - 30V pulsed DC	Reversible Polarity	
	18 - 30V half-wave rectified AC		
<b>Min. InputDuration</b>	8m sec		
<b>NominalOperating Current</b>	350mA		

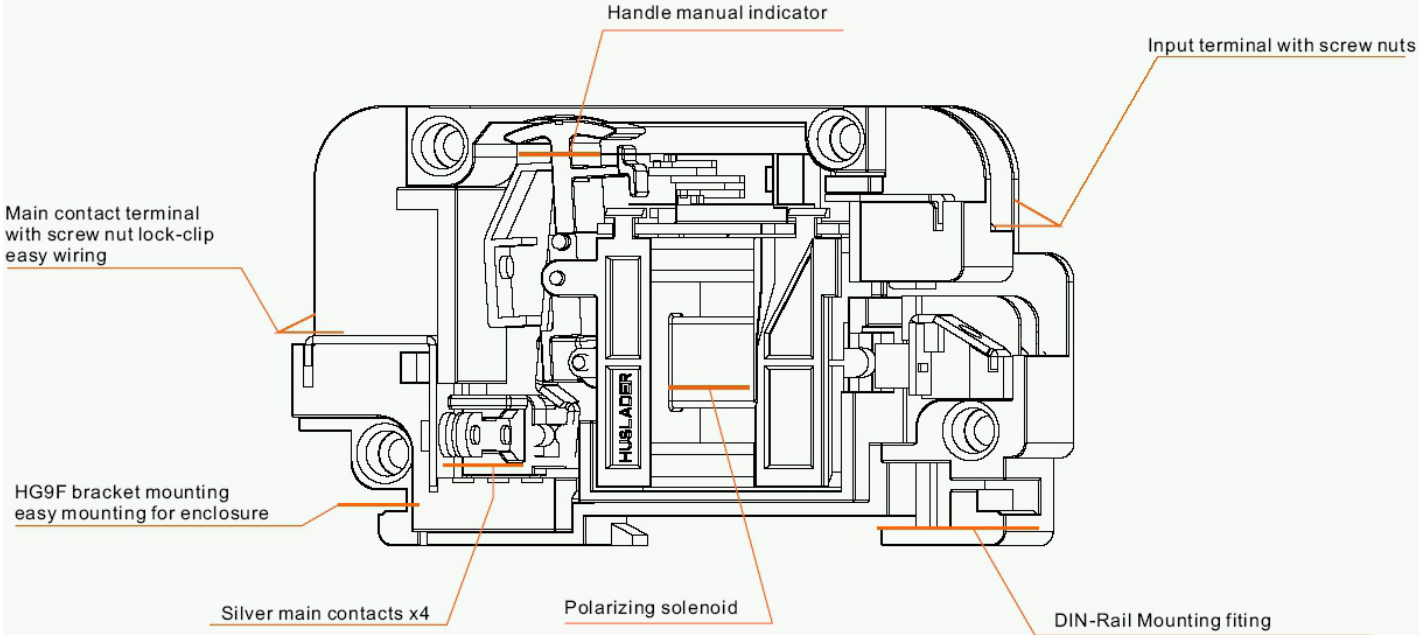
<b>Characteristics</b>	
<b>Electric Life</b>	200,000 operations at full load, at 20cpm
<b>Mechanical Life</b>	1,000,000 operations at full load, at 20cpm
<b>Inrush Capacity</b>	2,000A
<b>SCCR</b>	14,000A
<b>Initial Insulation Resistance</b>	More than 100MΩ@500VDC
<b>Dielectric Strength</b>	2,500V for 1 minute
<b>Ambient Temp.</b>	-300 ~ +550 C
<b>Temperature Rise</b>	Max. 65oC

Notice:\* Continuous input power supply to relay coil prevents the operationlever from being switched manually.

## Circuit Diagram



Product Inner View



Dimensions

